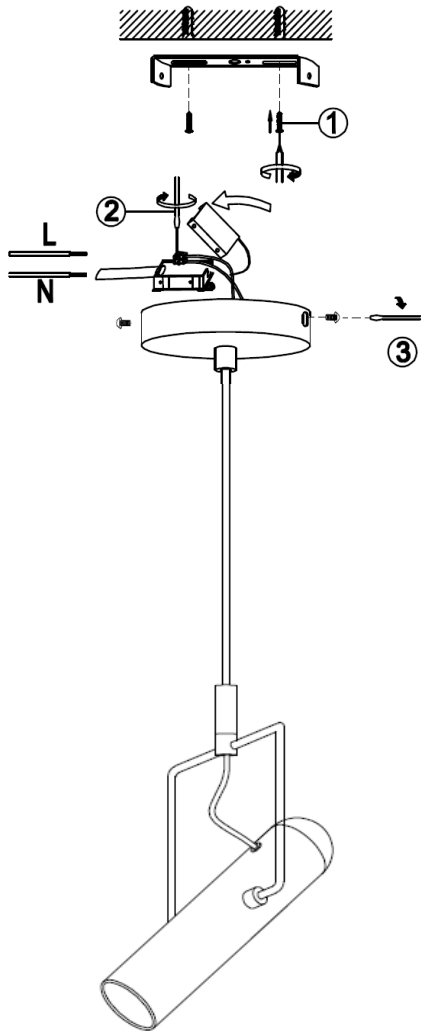


zUIVER^o



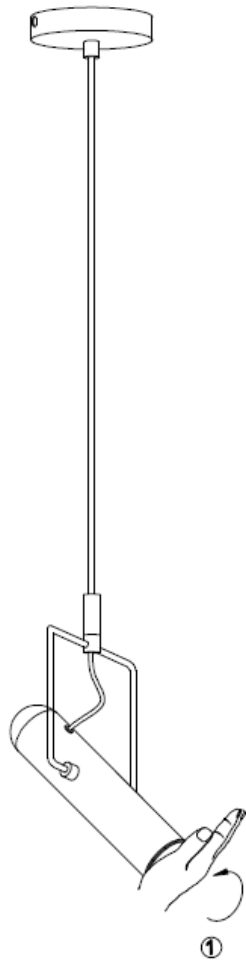
Assembly Instruction

1. Before assembling, be sure to turn off the main switch
2. Please use GU10 Max 3W LED bulb or GU10 Max 35W bulb for this lamp.
3. Don't use hard or sharp things to touch the shade in order to avoid scratching.
4. Keep away from children: don't let them touch the electric parts of this lamp.

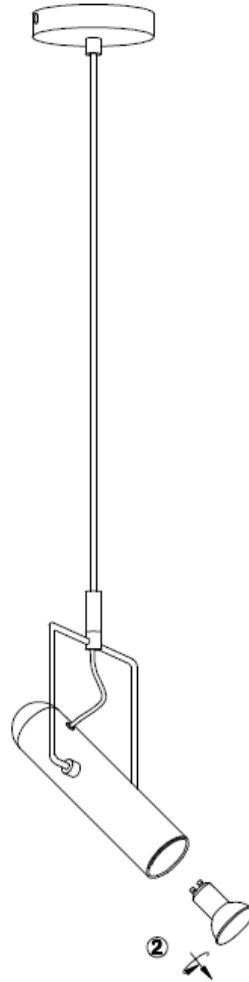
If (part of) the cable of this lamp is damaged, it should only be replaced by the manufacturer or his service agent or similar qualified person in order to avoid a hazard.

Item Number:5300135; 5300136

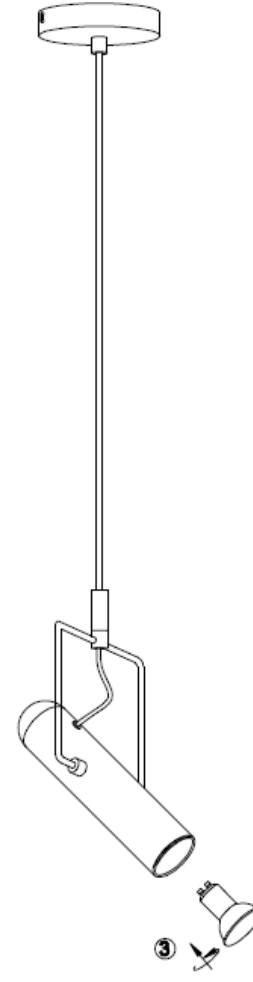
How to change the bulb



Push the bulb by hand



Take out the bulb



Assemble a new GU10 led bulb